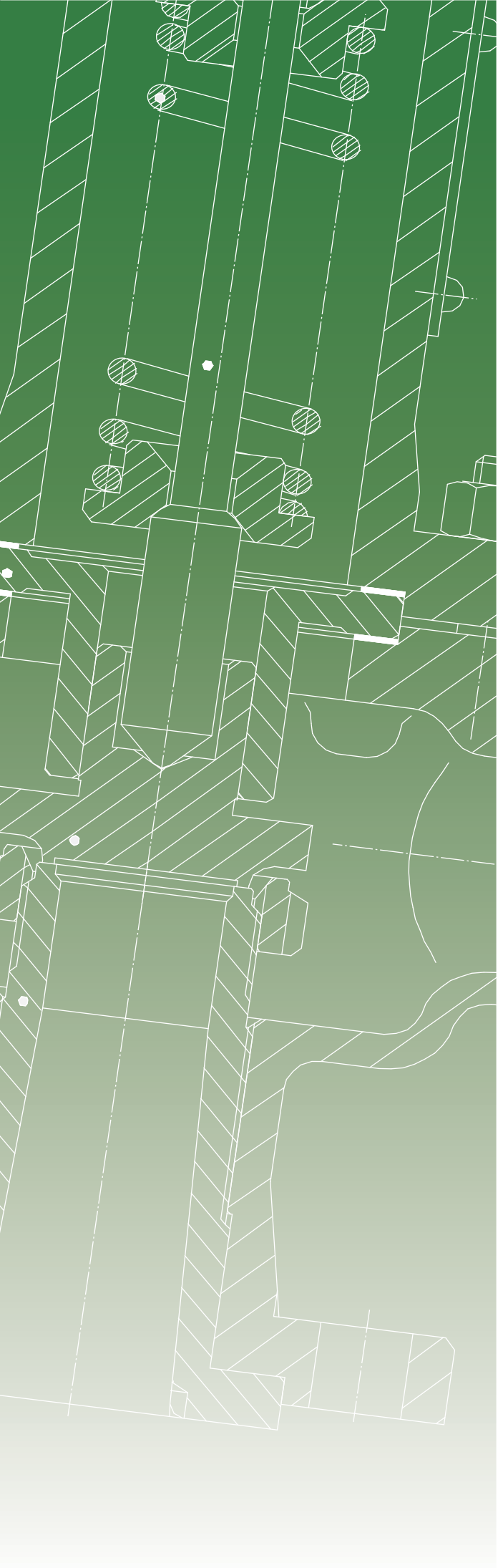


HANTS®

SAFETY VALVE





Index

Low Lift Safety Valve

HSM	1
HSL	2
HSD	3

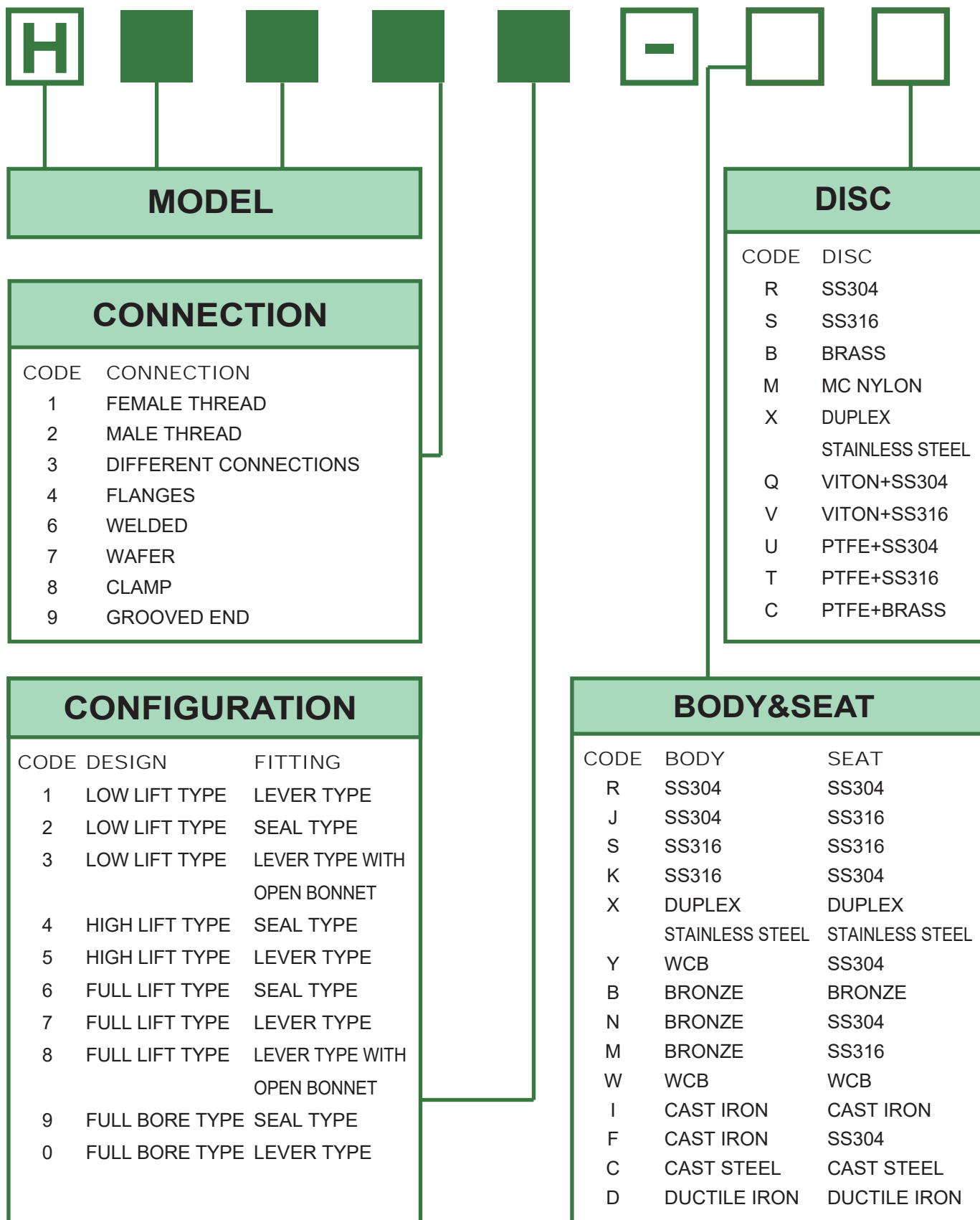
High Lift Safety Valve

HSR	4
HSY	5
HST	6

Full Bore Safety Valve

HSK	7
HSU	8

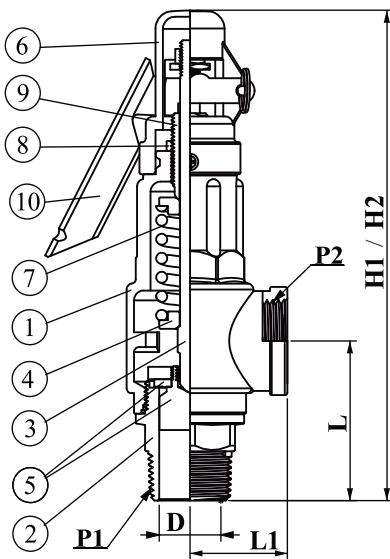
HANTS® NUMBERING SYSTEM



series

Low Lift Safety Valve - Bronze Type

- Size: 1/2"(DN13) to 2"(DN50)
- Working Pressure: 0.3 to 25 bar
- Working Temp.: -45°C to 185°C
- Connection Standard: NPT/PT/BSPP/BSPT.....etc.



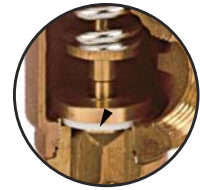
HSM21



HSM22



BB



BC

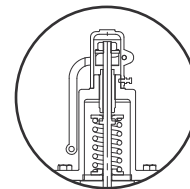
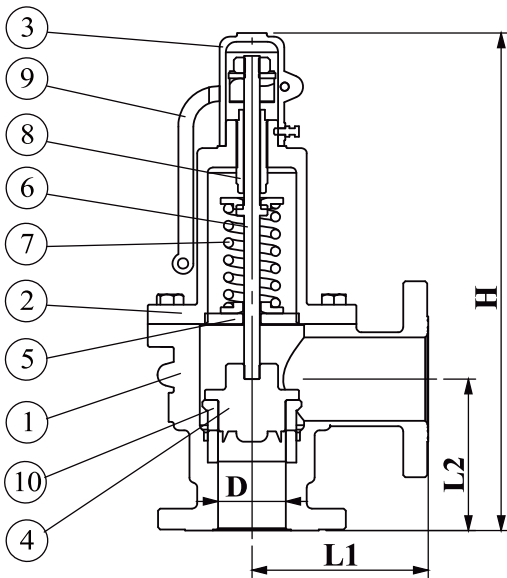
ITEM	PARTS	MATERIAL			
		HSM21-BB	HSM21-BC	HSM22-BB	HSM22-BC
1	VALVE BODY	BRONZE	BRONZE	BRONZE	BRONZE
2	VALVE SEAT	BRASS	BRASS	BRASS	BRASS
3	STEM	BRASS	BRASS	BRASS	BRASS
4	SPRING SEAT	BRASS	BRASS	BRASS	BRASS
5	DISC	BRASS	BRASS+PTFE	BRASS	BRASS+PTFE
6	CAP	BRASS	BRASS	BRONZE	BRONZE
7	SPRING	STEEL	STEEL	STEEL	STEEL
8	NUT	BRASS	BRASS	BRASS	BRASS
9	ADJUSTING SCREW	BRASS	BRASS	BRASS	BRASS
10	HANDLE	STEEL	STEEL	-	-

DIMENSIONS (MM)														
P1 INLET	P2 OUTLET	D ORIFICE DIAMETER	A ORIFICE AREA (MM ²)	LIFT	L1	L2	HSM21		HSM22		WEIGHT (KG)			
							H1	H2	HSM21-BB	HSM21-BC	HSM22-BB	HSM22-BC		
1/2"	1/2"	13	133	0.52	32	48	158	137	0.576	0.572	0.476	0.48		
3/4"	3/4"	19	283	0.76	36	55	169	145	0.716	0.714	0.643	0.61		
1"	1"	25	491	1.00	40	65	199	175	1.228	1.222	1.072	1.042		
1 1/4"	1 1/4"	32	804	1.28	52	75	223	198	1.995	1.91	1.745	1.738		
1 1/2"	1 1/2"	38	1134	1.52	58	86	243	225	2.416	2.412	2.328	2.348		
2"	2"	50	1963	2.00	65	100	284	256	3.928	3.935	3.568	3.682		

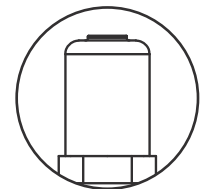
series

Low Lift Safety Valve - Close Bonnet

- Size: 1"(DN25) to 6"(DN150)
- Working Pressure: 0.3 to 20 bar
- Working Temp.: -5°C to 300°C
- Connection Standard: ANSI/JIS/PN.....etc.



HSL41



HSL42

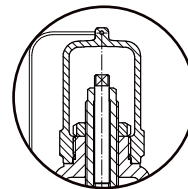
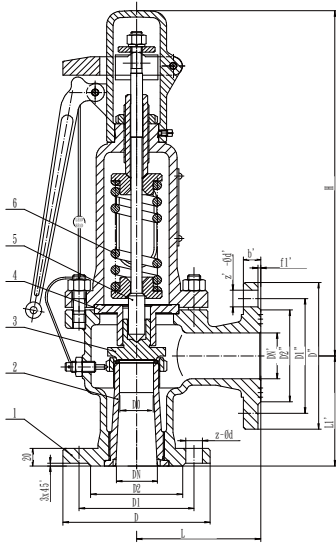
ITEM	PARTS	MATERIAL	
		HSL41	HSL42
1	BODY	FC20 / SS304 / WCB	
2	BONNET	FC20 / SS304 / WCB	
3	CAP	FC20 / SS304 / WCB	
4	DISC	SS304	
5	STEM GUIDE	FC20 / SS304	
6	STEM	SUS410 / SS304 / SWPA	
7	SPRING	SWPA / SS304 / WCB	
8	ADJUSTING SCREW	BSBF	
9	SEAT	SS304	
10	HANDLE	BSBM / SUS304 / BC	-

DIMENSIONS (MM)							
P1 INLET	P2 OUTLET	D ORIFICE DIAMETER	A ORIFICE AREA (MM ²)	LIFT	L1	L2	H
1"	1"	25	490.6	0.7	89	74	300
1 1/2"	1 1/2"	40	1256	1.0	106	106	365
2"	2"	50	1962.5	1.3	110	110	399
2 1/2"	2 1/2"	65	3316.6	1.7	117	116	460
3"	3"	75	4415.6	1.9	147	146	517
3 1/2"	3 1/2"	90	6358.5	2.3	188	170	678
4"	4"	100	7850	2.5	189	180	624
4 3/4"	4 3/4"	120	11304	3.0	200	190	710
5"	5"	125	12265	3.2	190	183	720
6"	6"	150	17662	3.8	210	210	800

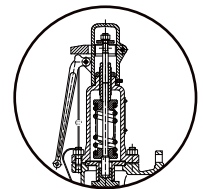
series

Low Lift Safety Valve - Open Bonnet

- Size: 1"(DN25) to 8"(DN200)
- Working Pressure: 0.3 to 40 bar
- Working Temp.: -29°C to 350°C
- Connection Standard: ANSI/JIS/PN.....etc.



HSD42



HSD43

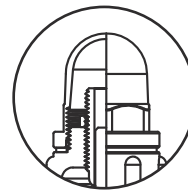
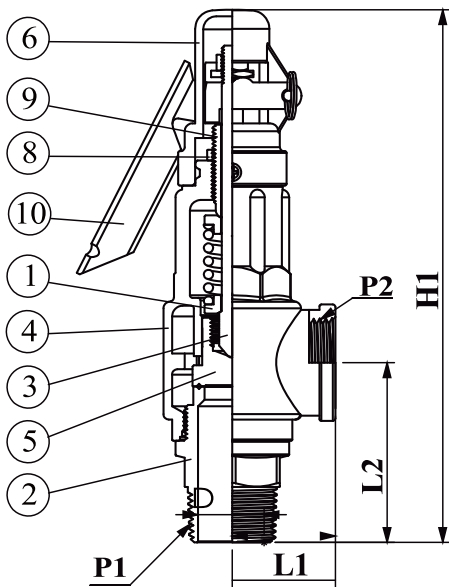
ITEM	PARTS	MATERIAL	
		HSL42	HSL43
1	BODY	SS304 / SS316 / SUS420 / 2205 DUPLEX STAINLESS STEEL	
2	SEAT	SS304 / SS316 / SUS420 / 2205 DUPLEX STAINLESS STEEL	
3	DISC	SS304 / SS316 / SUS420 / 2205 DUPLEX STAINLESS STEEL	
4	STEM	SS304 / SS316 / SUS420 / 2205 DUPLEX STAINLESS STEEL	
5	SPRING	INCONEL X-750 / 50CRVA	
6	LEVER	-	SS304

DIMENSIONS (MM)						
P1 INLET	P2 OUTLET	D ORIFICE DIAMETER	A ORIFICE AREA (MM ²)	LIFT	L1	L2
1"	1"	20	314.0	1	100	85
1-1/4"	1-1/4"	25	490.6	1.25	115	100
1 1/2"	1 1/2"	32	803.8	1.6	120	110
2"	2"	40	1256.0	2	135	120
2 1/2"	2 1/2"	50	1962.5	2.5	145	130
3"	3"	65	3316.6	3.25	160	135
4"	4"	80	5024.0	4	170	160
5"	5"	100	7850.0	5	190	180
6"	6"	125	12265.6	6.25	205	195
8"	8"	150	17662.5	7.5	240	230

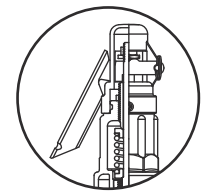
series

High Lift Safety Valve -Bronze Type

- Size: 1/2"(DN15) to 2 1/2"(DN65)
- Working Pressure: 0.1 to 40 bar
- Working Temp.: -185°C to 200°C
- Connection Standard: NPT/PT/BSPP/BSPT.....etc.



HSR24



HSR25

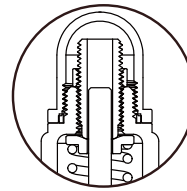
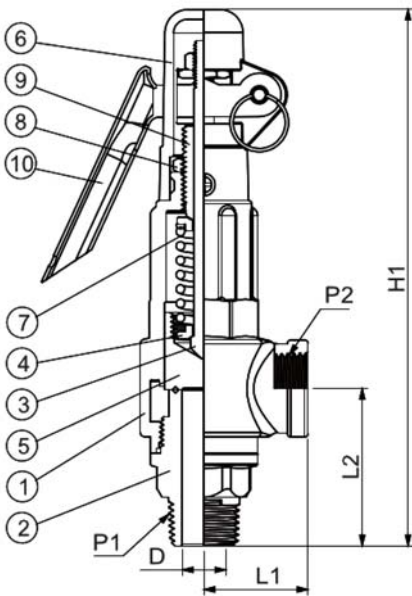
ITEM	PARTS	MATERIAL	
		HSR24	HSR25
1	VALVE BODY	BRONZE	BRONZE
2	VALVE SEAT	SS304	SS304
3	STEM	BRASS	BRASS
4	SPRING SEAT	BRASS	BRASS
5	DISC	SS304 (+VITON/PTFE)	SS304 (+VITON/PTFE)
6	CAP	BRONZE	BRONZE
7	SPRING	STEEL	STEEL
8	NUT	BRASS	BRASS
9	ADJUSTING SCREW	BRASS	BRASS
10	HANDLE	-	STEEL

DIMENSIONS (MM)									
P1 INLET	P2 OUTLET	D ORIFICE DIAMETER	A ORIFICE AREA (MM ²)	LIFT	L1	L2	WEIGHT (KG)		
							HSR24	HSR25	
1/2"	3/4"	15	176.6	1.04	35	53.5	0.66	0.755	
1/2"	1"	15	176.6	1.52	39	63	1.08	1.278	
3/4"	1"	19.5	298.5	1.52	39	62.5	1.06	1.25	
1"	1"	21	346.2	1.52	39	68	1.06	1.25	
1"	1 1/4"	26	530.7	2	32	74.5	1.96	2.03	
1 1/4"	1 1/2"	33	854.9	2.56	58.5	88.5	2.55	2.64	
1 1/2"	2"	39	1194.0	3.04	64.5	100.5	3.92	4	
2"	2"	39	1194.0	3.04	64.5	103.5	4.11	4.36	
2"	2 1/2"	50	1962.5	4	72	110	5.29	5.5	

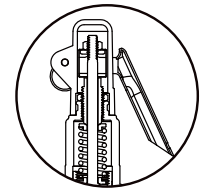
series

High Lift Safety Valve -Stainless Steel Type

- Size: 1/2"(DN15) to 1 1/2"(DN40)
- Working Pressure: 0.1 to 50 bar
- Working Temp.: -196°C to 350°C
- Connection Standard: NPT/PT/BSPP/BSPT.....etc.



HSY24



HSY25

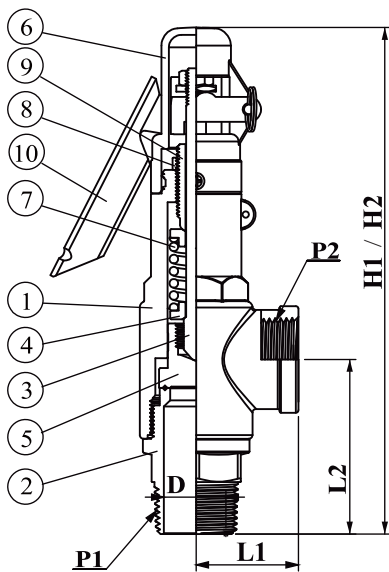
ITEM	PARTS	MATERIAL	
		HSY24	HSY25
1	VALVE BODY	SS304 / SS316	SS304 / SS316
2	VALVE SEAT	SS304 / SS316	SS304 / SS316
3	STEM	SS304	SS304
4	SPRING SEAT	SS304	SS304
5	DISC	SS304 / SS316	SS304 / SS316
6	CAP	SS304	SS304
7	SPRING	SS304	SS304
8	NUT	SS304	SS304
9	ADJUSTING SCREW	SS304	SS304
10	HANDLE	-	SS304

DIMENSIONS (MM)								
P1 INLET	P2 OUTLET	D ORIFICE DIAMETER	A ORIFICE AREA (MM ²)	LIFT	L1	L2	HSY24 H1	HSY25 H1
1/2"	1/2"	13	132.7	1.04	31	46.95	134.1	160.1
3/4"	3/4"	19	283.4	1.52	34.8	56.4	147	172.5
1 1/4"	1 1/4"	30	706.5	2.56	52	73	197.7	218.2
1 1/2"	1 1/2"	34	907.5	3.04	59.5	89	226.8	247.3

series

High Lift Safety Valve - High Pressure

- Size: 1/2"(DN15) to 2"(DN50)
- Working Pressure: 0.1 to 110 bar
- Working Temp.: -196°C to 350°C
- Connection Standard:
NPT/PT/BSPP/BSPT/ANSI/JIS/PN.....etc.



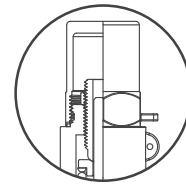
HST2



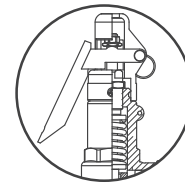
HST3



HST4



HST24



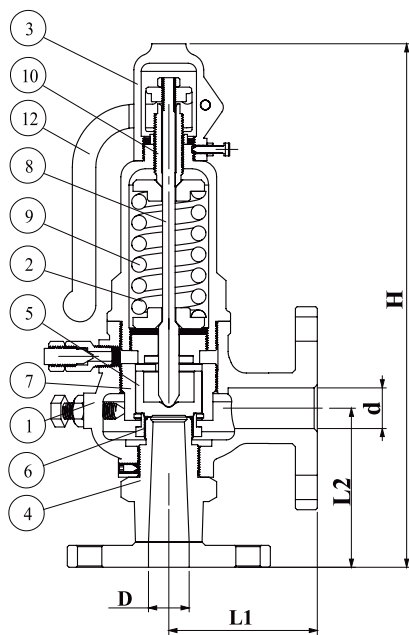
HST25

ITEM	PARTS	MATERIAL					
		HST24	HST25	HST34	HST35	HST44	HST45
1	VALVE BODY	SS304/316					
2	VALVE SEAT	SS304/316					
3	SPINDLE	SS304					
4	SPRING SEAT	SS304					
5	DISC	SS304/316(+VITON/PTFE)					
6	CAP	SS304					
7	SPRING	SS304					
8	NUT	SS304					
9	ADJUSTING SCREW	SS304					
10	HANDLE	-	SS304	-	SS304	-	SS304

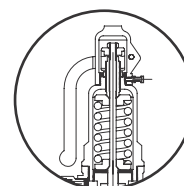
DIMENSIONS (MM)																				
P1 INLET	P2 OUTLET	D ORIFICE DIAMETER	A ORIFICE AREA (MM ²)	LIFT	HST24/HST25		HST24		HST34/HST35		HST34		HST35		HST44/HST45		HST44		HST45	
					L1	L2	H1	H2	L1	L2	H1	H2	L1	L2	H1	H2				
1/2"	1"	15	176.6	1.04	41.25	65.5	177.5	199.5	41.25	70.5	182.5	204.2	105.75	70.5	182.5	204.2				
3/4"	1"	19.5	298.5	1.52	41.25	65	177	199	41.25	70	182	204	105.75	70	182	204				
1"	1"	21	346.2	2	41.25	70.5	182.5	204.5	41.25	75.5	187.5	209.5	105.75	75.5	187.5	209.5				
1"	2"	25	490.6	2.52	65	100.3	260.5	284	65	105.3	265.5	289	133.5	105.3	265.5	289				
1 1/4"	2"	33	854.9	2.56	65	100.8	261	284.5	65	106.8	267	209.5	133.5	106.8	267	209.5				
1 1/2"	2"	39	1194.0	3.04	65	101.3	261.5	285	65	107.3	267.5	291	133.5	107.3	267.5	291				
2"	2"	39	1194.0	4	65	104.3	264.5	288	65	110.3	270.5	294	133.5	110.3	270.5	294				

Full Bore Safety Valve

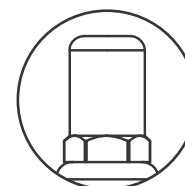
- Size: 1"(DN25) to 6"(DN150)
- Working Pressure: 0.3 to 40 bar
- Working Temp.: -5°C to 300°C
- Connection Standard: ANSI/JIS/PN.....etc.



HSK30



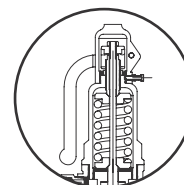
HSK30



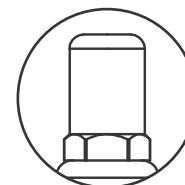
HSK39



HSK40



HSK40



HSK49

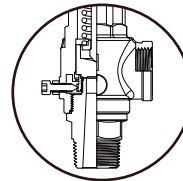
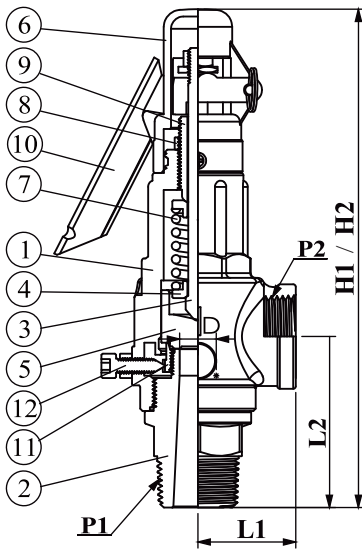
ITEM	PARTS	MATERIAL			
		HSK30	HSK39	HSK40	HSK49
1	BODY			FC20 / SS304 / WCB	
2	BONNET			FC20 / SS304 / WCB	
3	CAP			FC20 / SS304 / WCB	
4	BODY SEAT			SS304	
5	VALVE DISC			SS304	
6	LOWER RING			SS304	
7	UPPER RING			BSBM / SS304	
8	STEM			SS304	
9	SPRING			SUP6 / SS304	
10	ADJUSTING SCREW			SS410 / SS304	
11	ROOTSCREW			SS310 / SS304	
12	LEVER	WCB / SS304	-	WCB / SS304	-

DIMENSIONS (MM)											
P1 INLET	P2 OUTLET	D ORIFICE DIAMETER	A ORIFICE AREA (MM²)	HSK30/HSK39				HSK40/HSK49			
				LIFT	L1	L2	H	LIFT	L1	L2	H
3/4"	1"	15	176.6	3.8	50	77	273	-	-	-	-
3/4"	1 1/4"	19	283.4	5	64	87	322	-	-	-	-
1 1/2"	2"	30	706.5	7.5	71	113	405	-	-	-	-
2"	2 1/2"	38	1133.5	9.5	85	125	450	-	-	-	-
1"	1 1/2"	19	283.3	-	-	-	-	5	105	95	225
1 1/2"	2 1/2"	30	706.5	-	-	-	-	7.5	125	120	290
2"	3"	38	1133.5	-	-	-	-	9.5	135	125	340
2 1/2"	4"	49	1884.7	-	-	-	-	12.5	155	140	395
3"	5"	61	2920.9	-	-	-	-	15.5	175	160	480
4"	6"	76	4534.1	-	-	-	-	19	205	180	555
5"	8"	95	7084.6	-	-	-	-	24	225	210	685
6"	8"	115	10381.6	-	-	-	-	29	255	220	815

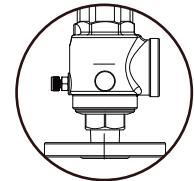
series

Full Bore Safety Valve - High Pressure

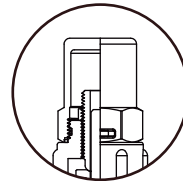
- Size: 1/2"(DN15) to 2"(DN50)
- Working Pressure: 0.1 to 110 bar
- Working Temp.: -196°C to 350°C
- Connection Standard:
NPT/PT/BSPP/BSPT/ANSI/JIS/PN.....etc.



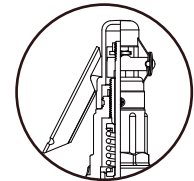
HSU2



HSU3



HSU29



HSU20

ITEM	PARTS	MATERIAL			
		HSU29	HSU20	HSU39	HSU30
1	VALVE BODY	SS304 / SS316			
2	VALVE SEAT	SS304 / SS316			
3	SPINDLE	STEEL			
4	SPRING SEAT	STEEL			
5	DISC	SS304 / SS316			
6	CAP	SS304			
7	SPRING	SS304			
8	NUT	SS304			
9	ADJUSTING SCREW	SS304			
10	LOWRING	SS304			
11	FIX SCREW	SS304			
12	HANDLE	-	SS304	-	SS304

DIMENSIONS (MM)													
P1 INLET	P2 OUTLET	D ORIFICE DIAMETER	A ORIFICE AREA (MM²)	LIFT	L1	HST29		HST20		HST39		HST30	
						L2	H1	L2	H2	L2	H1	L2	H2
1/2"	1"	15	176.6	1.04	41.25	65.5	177.5	65.5	199.5	70.5	182.5	70.5	204.2
3/4"	1"	19.5	298.5	1.52	41.25	65	177	65	199	70	182	70	204
1"	1"	21	346.2	2	41.25	70.5	182.5	70.5	204.5	75.5	187.5	75.5	209.5
1"	2"	25	490.6	2.52	65	100.3	260.5	100.3	284	105.3	265.5	105.3	289
1 1/4"	2"	33	854.9	2.56	65	100.8	261	100.8	284.5	106.8	267	106.8	209.5
1 1/2"	2"	39	1194.0	3.04	65	101.3	261.5	101.3	285	107.3	267.5	107.3	291
2"	2"	39	1194.0	4	65	104.3	264.5	104.3	288	110.3	270.5	110.3	294

HANTS CONTROL LIMITED

No.42, Jialing Street, Cianjhen District, Kaoshiung City, Taiwan

Tel: +886-7-3311060 Fax: +886-7-3310100

E-mail: sales@hants.com.tw

www.hants.com.tw

